

# IRFD-2110U

RFID integration system UHF US standard Intel® Atom™ N270, 2 x LAN, 4 x RS-232/422/485, 2 x USB, 1 x LPT, 1 x PC card slot, 1 x CF slot



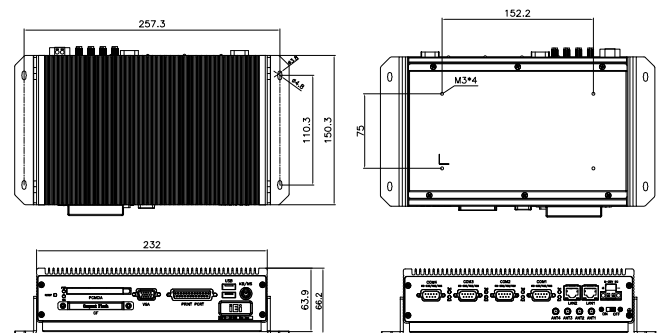
## Features

1. Support 4 Mono-static Antenna with recognizable Antenna ID
2. Up to 50 tags/sec high speed read rate
3. Intel®ATOM N270 + 512MB SDRAM Memory for high performance data processing
4. Windows XPe Open Platform for user applications
5. IDE H.D.D interface for large data storage expansion
6. Rich peripheral expansion interfaces for flexible usage

## Specifications

CPU	Intel® Atom™ N270 1.6Ghz L2 cache 512K
Chipset	Intel® 945GSE+ICH7
Memory Socket	1 x 200pin SO-DIMM (DDR 266/333MHz up to 1GB)
Memory Size	512 MB
Display Chipset	Intel® 945GSE support to 1600 x 1200
Display Interface	VGA 15pin D-SUB output
Expansion Module	PC/104 (ISA Bus)
I/O	On Board
	2 x Ethernet (10 Base-T/100 Base TX) 2 x USB 2.0 4 x RS-232/422/485 (9pin D-SUB) Isolated 1 x VGA 1 x PC Card Slot 1 x PCMCIA 1 x 9~36V DC-IN 1 x Reset Button 1 x LPT 1 x Power Switch
UHF Module	UHF Module IRFR-300 RFID transceiver : Intel® 1000 Frequency : 902MHz~928MHz (USA/Canada ) Output Power : 30dBm, Maxium 4W EIRP. Tag support : EPC global Class1 Gen2 (ISO/IEC 18000-6 Type C) Antenna port : 4 mono-static SMA connectors Reading Range : 5-7M (Tag and antenna type dependent)
LED Indicator	Power LED, HDD LED
Power Module and Source	9~36V 2-wire power adapter or industrial power supply
Storage Interface	1 x Compact Flash II Slot 1 x IDE
Storage	1G CF Card or 2.5"HD
Operating Environmental	Operation Temperature: 0 ~ 50 °C Relative Humidity: 5 ~ 95 % RH without condensation Vibration: 5~17 Hz, 0.1" double amplitude displacement, 17~640 MHz, 1.5G acceleration peak to peak Shock: 15G acceleration peak to peak. (11ms)
Dimensions(mm)	TBD
Construction	Aluminum Extrusion, heavy-duty steel chassis
Mounting	Wall Mount DIN Mount Desktop

## Dimensions ( Unit : mm )



## Packing List

1 x IRFD-2110U / UX-R10
1 x Utility CD including SDK, utilities, and technical documents
1 x null modem Cable
1 x Screw kit
1 x Wall mount kit

## Ordering Information

Part No.	Description
IRFD-2110U/UX-R10	WindowXP Integration Product, RFID integration system, UHF US standard, ATOM N270, RoHS

## Options

63000-UP0451E24P56L-RS	24 VDC 45W power adapter with bare wire; 90-264 VAC input
DK-84MS	Din mount Kits
32500-004500-RS	Antenna cable; RFID cable; L:3000MM; reverse sma plug, N plug
32500-004501-RS	Antenna cable; RFID cable; L:6000MM; reverse sma plug, N plug
32500-004502-RS	Antenna cable; RFID cable; L:10000MM; reverse sma plug, N plug
27100-000001-RS	RFID Antenna; UHF RFID patch antenna 915MHz, Right Hand, Circular; Dimension: 260x260mm
27100-000002-RS	RFID Antenna; UHF RFID patch antenna 915MHz, Left Hand, Circular; Dimension: 260x260mm